



4" Duct (Standard):
70 CFM/1.0 Sone @ 0.1 SP, 8.4 Watts
59 CFM/1.5 Sones @ 0.25 SP, 10.0 Watts



Description

Breez Integrity 70 CFM Fan with Bluetooth® Speaker enables you to enjoy your favorite music, or hear real-time news, weather, traffic, or sports while the energy-efficient fan quietly ventilates your bathroom. Easily pairs with most Bluetooth wireless devices. Quiet operation ventilating fan with low profile, rated for continuous running. Fan has been awarded ENERGY STAR® Most Efficient 2019. It is HVI, UL, and cUL certified, and can be used to comply with ASHRAE 62.2 (local and whole building continuous and intermittent operation).

DC Motor/Blower

- Power rating of 120 volts/60Hz
- DC brushless motor engineered to run continuously
- Motor equipped with thermal cutoff fuse
- Removable with permanently lubricated plug-in motor
- Built-in soft start function to increase bearings' life
- Automatically powers off when impeller is locked abnormally

Housing

- Galvanized steel body
- Detachable 4" diameter plastic duct adapter
- Built-in backdraft damper
- Easy installation

Grille

- Attractive design using ABS material
- Attaches directly to housing with torsion springs

Bluetooth Speaker assembly

- Include a Bluetooth 3.0 speaker, 3W and 4 Ohm
- Play audio through most Bluetooth wireless devices

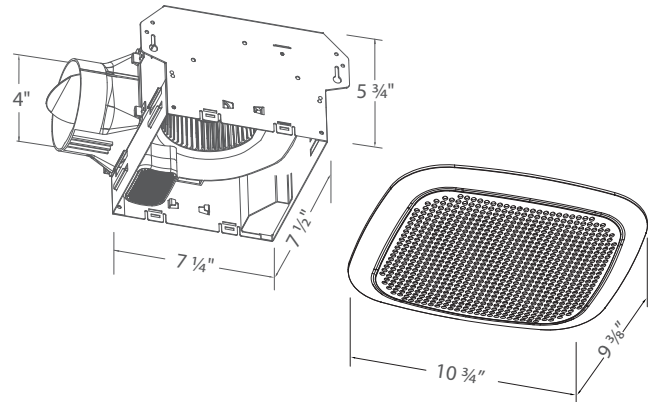
Warranty

- 3-year limited warranty

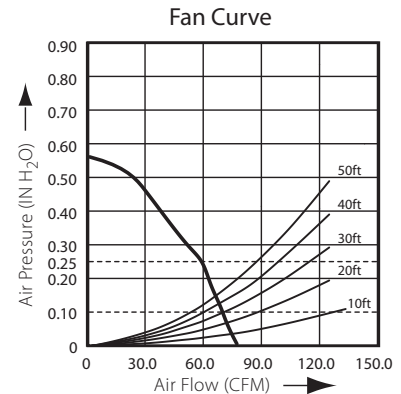
TYPICAL SPECIFICATION

Ventilation fan shall be Delta Breez model ITG70BT; ENERGY STAR qualified with DC brushless motor engineered to run continuously for a minimum 70,000 hours; airflow rating of 70 CFM and loudness rating of 1.0 Sone at 0.1 static pressure as certified by the Home Ventilating Institute (HVI); power consumption of 6.6 Watts with efficiency rating of 10.7 CFM/Watt. UL and cUL listed for tub/shower enclosure when used with GFCI-protected branch circuit wiring.

The Bluetooth® word mark and logos are registered trademarks owned by Bluetooth SIG, Inc. and any use of such marks by Delta Electronics, Inc. is under license. Other trademarks and trade names are those of their respective owners.



BreezIntegrity ITG70BT	4" Duct (Standard)	
Static Pressure (inches w.g.)	0.1	0.25
Air Flow (CFM)	70	59
Sones	1.0	1.5
Power Consumption (Watts)	6.6	8.3
Energy Efficiency (CFM/Watt)	10.7	7.2
Current (Amps)	0.2 Max	
Power Rating (V/Hz)	120 / 60	



Model	Quantity	Comments	Project:
			Location:
			Architect:
			Engineer:
			Contractor:
			Submitted by:
			Date: